

The Smart AGV TUG & TOW Robot

TUG 2000





AUTONOMOUS OPERATIONS

Up to ~3kmph speeds*.



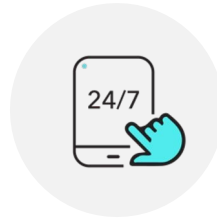
ANALYTICS & REPORTING

Real time Dashboard for operational and Maintenance information.



8 HOURS OF OPERATIONS

Highest operational time of 8 hrs with upto ~15kms of distance coverage per charge.

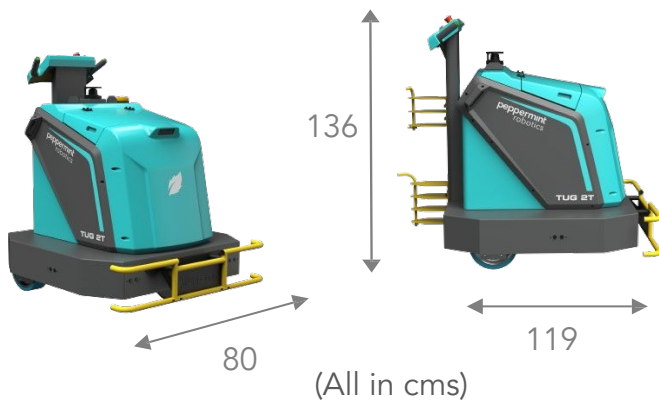


BEST IN CLASS SUPPORT

Round the clock maintenance & global service support.

Robot Specifications	TUG 2000
Type	Tug & Tow Robot
Battery Voltage, nominal capacity (V/Ah)	48 / 96
Distance per charge (in kms)	~10
Max Power (W)	1800W
Turning Radius (cms)	90
Latch Mounting Height	Adjustable
Tyres	NBR
Braking	Electronic

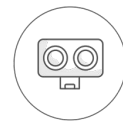
Tug & Tow Functions	TUG 2000
Type	Tug & Tow Robot
Tugging Capacity (kgs)	2000
Max # trolleys	3
Type of trolley	Any
Max Speed (Loaded) m/s	0.5
Gradient %	5
Corridor / Aisle Width Needed (m)	1.5
Floor Type	Any



peppermint™ | accessories



*Fast DC Charger



Warning Lights



Peppermint Robotics
c/o Aubotz Labs Pvt Ltd
Near Balaji Chowk, Pashan,
Pune, INDIA



W: www.getpeppermint.co
E: info@getpeppermint.co
M: +91 89567 10044



SAFETY CERTIFIED



Spares Support



Service Support

*subject to load / trolleys